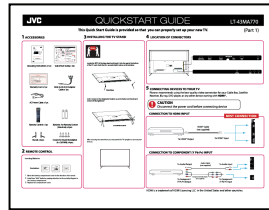


This Quick Start Guide is provided so that you can properly set up your new TV.

1 PACKAGE CONTENT



TV x 1pc



Quick Start Guide x 1pc



Warranty Card x 1pc



Remote Control x 1pc



Batteries for Remote Control (Size AAA) x 2pcs



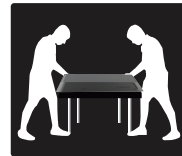
4x screws for TV Stand



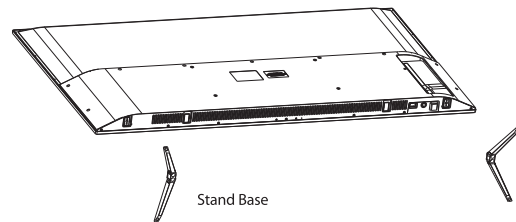
Stands x 2pcs

2 INSTALLING THE TV STAND

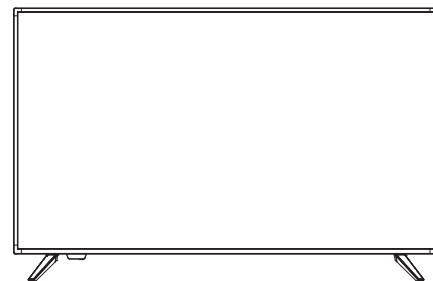
It is recommended two people handle TV stand installation. To prevent scratch or damage to the TV screen, place the TV on a soft, flat surface.



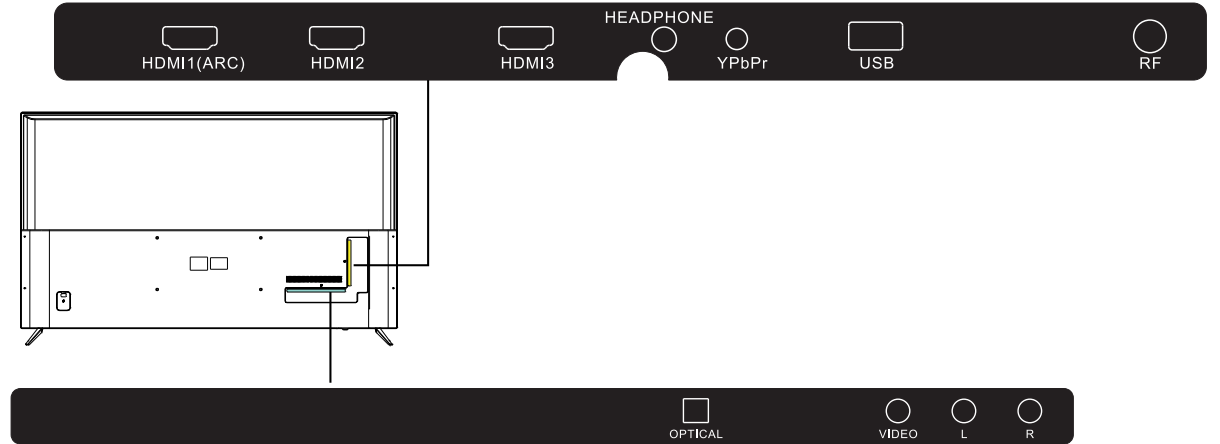
Attach the stands to the bottom of the TV by inserting the stand into slots on the TV. Secure the stands to the TV with the supplied screws.



After securing the stand, place the TV on a stable surface. Note: TV can also be wall mounted. Wall mount sold separately.



3 LOCATION OF CONNECTORS



CONNECTING DEVICES TO YOUR TV

JVC recommends using the best-quality video connection for your Cable Box, Satellite Receiver, Blu-ray, DVD player, Game box or any other device starting with **HDMI®**.

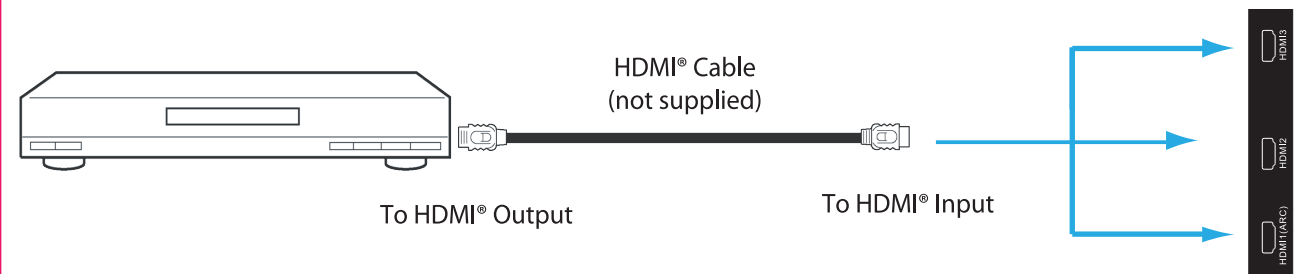


CAUTION

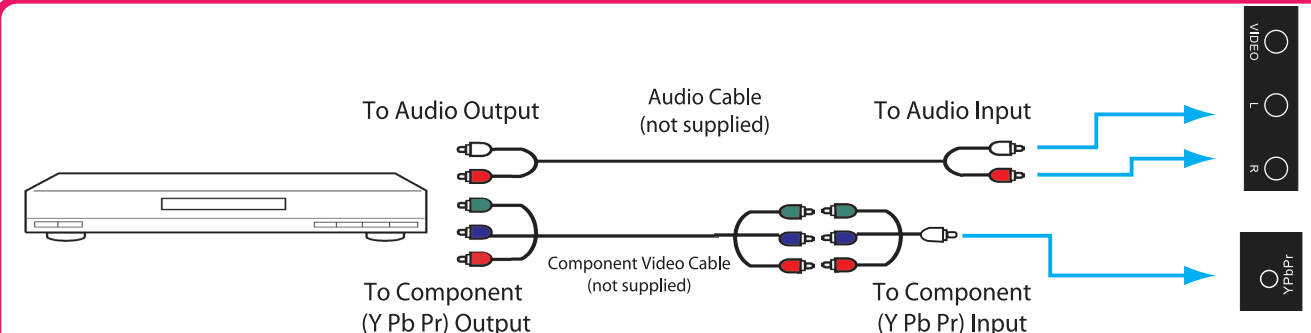
Disconnect the power cord before connecting device

CONNECTION TO HDMI INPUT

BEST CONNECTION

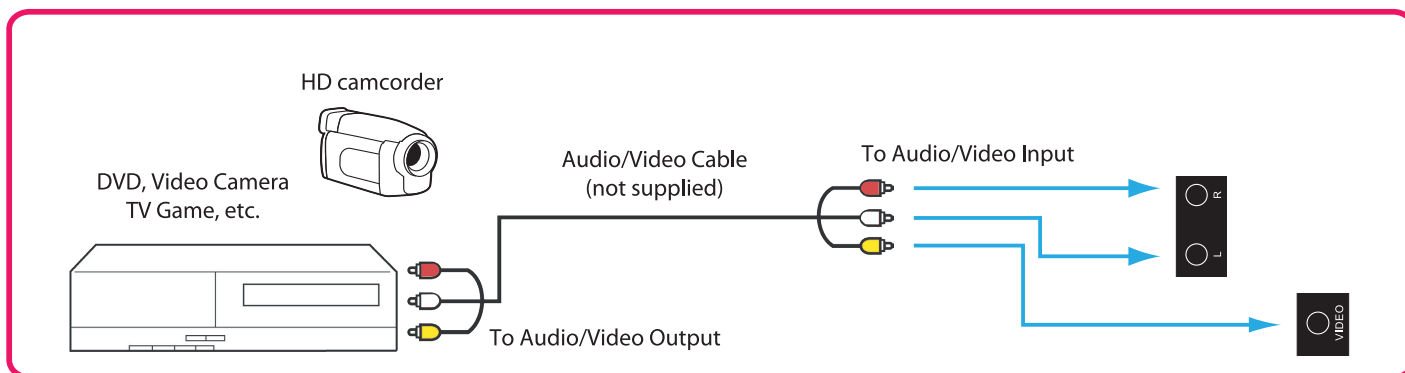


CONNECTION TO COMPONENT (Y Pb Pr) INPUT



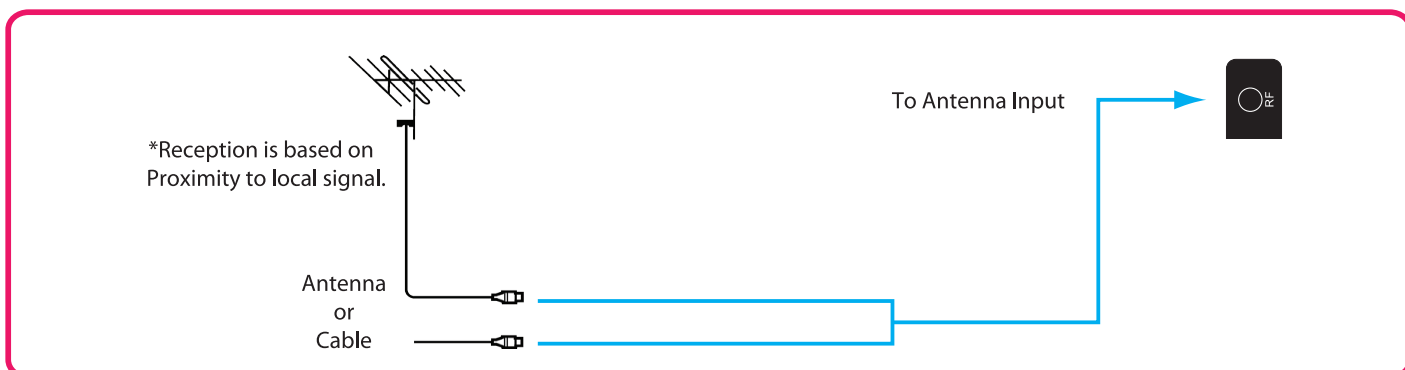
4 CONNECTING DEVICES TO YOUR TV (Cont.)

CONNECTION TO AUDIO/VIDEO INPUT



ANTENNA/CABLE CONNECTIONS

If you are connecting to a cable or Satellite Receiver then the setup process ends here. You can simply turn on the TV, press the "INPUT/SOURCE" button on the remote control and scroll to your appropriate input that matches your connection. I.E: If you connected your cable to **HDMI 1**, then you switch the source to **HDMI 1** in the Source Menu.



5 POWER CORD CONNECTION & POWER ON

A) Plug the supplied AC power cable into the indicated power input in the rear panel of the TV.

B) Then plug the other end of that cable into the power outlet on your wall.

C) The power indicator on the front panel of the TV will light up red.

POWER BUTTON

You can use the power button on the remote control or on the bottom of the TV to switch the TV into "ON" or "STANDBY" mode. The power indicator works in each mode as follows.
STAND BY: RED Light
ON: Light off

6 INITIAL SETUP

The FIRST time you turn on the TV, a message that asks you to run the CHANNEL SCAN will be displayed. Please follow the following instructions for the CHANNEL SCAN so that you can enjoy the channels that are available to you via cable or digital antenna.

If you want to receive the Cable TV signal through the antenna input terminal, the Air/Cable menu option must be switched to the "Cable" (Cable TV) mode in the following Initial Setup 1. If you want to receive the over-the-air broadcast signal by connecting the digital antenna to the antenna input terminal, skip the initial Setup 1 and go directly to Initial Setup 2.

Press Menu Button first if you skipped Initial Setup 1.

Initial Setup 1

1. Select Menu Language.
2. Select "Time Zone" and "DST".
3. Select "Air/Cable" by using \blacktriangle / \blacktriangledown keys, and change from "Cable" to "Air" by using \blacktriangleleft / \blacktriangleright keys and press "Enter".
4. Press Enter key to start Auto Scan, and the following screen shows up to indicate the progress.

After this process is completed, then you may now view your local or cable channels by pressing the corresponding number or by pressing the Channel Up or Down on your remote control.

